

Proximity Magnetic Sensors Cylindrical Body, FS Series



- Cylindrical case
- Plastic or brass body
- M10, M12, M16 or Ø 13,5 diameter
- NO, NC, CO or Bistable output functions
- Front side switching

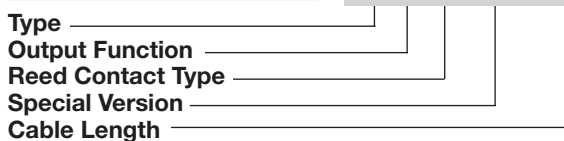
Product Description

Available in several versions with plastic or brass body, the sensors of the FS series have different dimensions and output contacts. The

models with output functions NO (Normally Open), or Change-over can be mounted directly on ferromagnetic supports.

Ordering Key

FS.A.2/S3/2MT



Type Selection

External dimensions	Output function	Cases	References
Ø 13,5 mm	NO	Plastic	FS.A.2
		Plastic	FS.A.8
	NC	Plastic	FS.C.2
		Plastic	FS.C.8
M 10 x 1,25	Change-over	Plastic	FS.S.2
	NO	Brass	FS.A.2/S3/2MT
M 12 x 1	Change-over	Brass	FS.S.2/S1/2MT
	NO	Brass	FS.A.2/S4/2MT
M 16 x 1,5	Change-over	Brass	FS.S.2/S4/2MT
	Bistable	Plastic	FS.B.2/2MT

General specification

Protection degree	IP67
Operating temperature	-25 to +75 °C
Output connection	PVC Cable

Electrical specifications

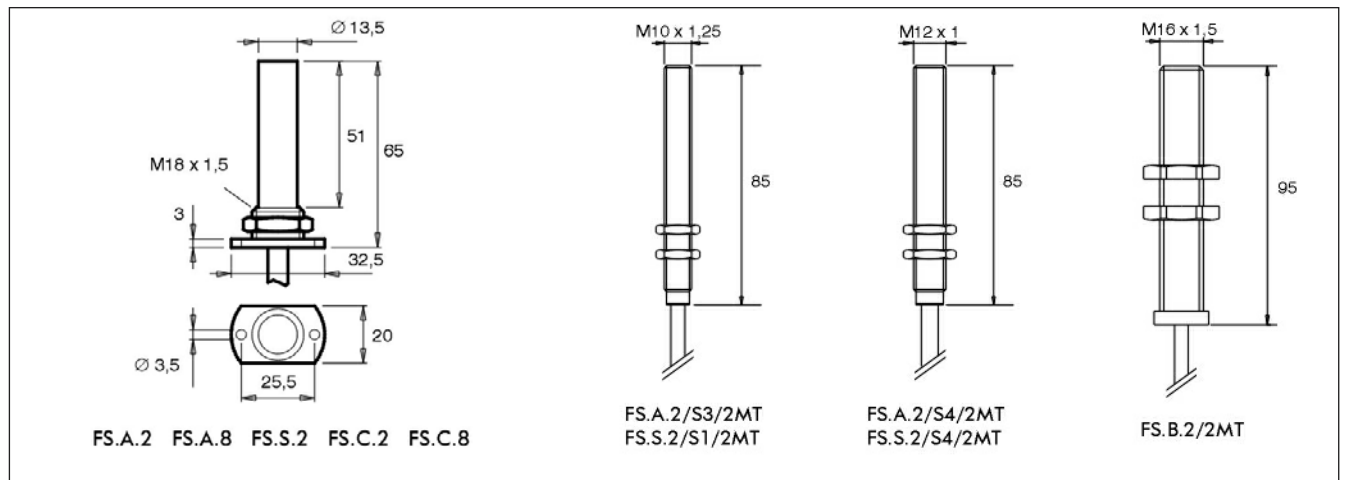
Contacts	2	8	S.2
Max switching voltage	250 Vac	1500 Vac	220 Vac
Max switching current	3 A	3 A	1 A
Max switching power	100 VA	120 VA	60 VA

Operating distance

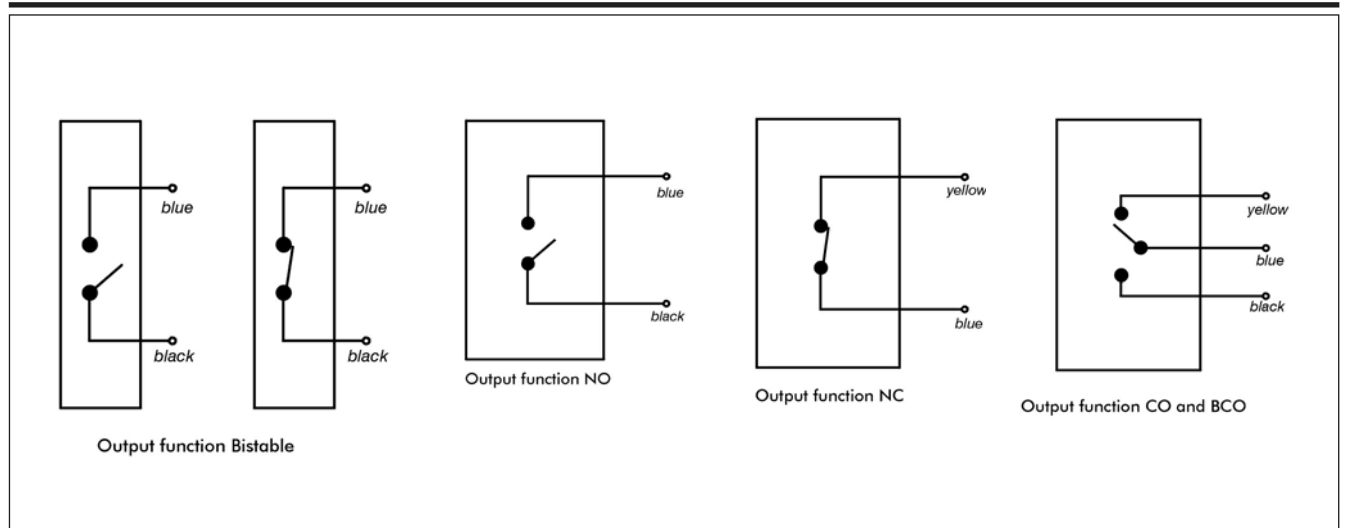
Magnetic units	CL.10	CL.11	CL.18	CL.20/S1	CL.20/S3	CL.23	CL.31
FS.A.2, FS.A.8, FS.S.2	-	9	-	8	7	7	12
FS.C.2, FS.C.8	-	12/0,5 *	-	7	6	3	12/0,5 *
FS.A.2/S3/2MT, FS.S.2/S1/2MT, FS.A.2/S4/2MT, FS.S.2/S4/2MT	-	9	-	8	7	7	12

* Left: operating distance; right: closing contact distance.

Dimensions



Wiring Diagrams



T. 934 199 036

www.disaileco.com