

Proximity Magnetic Sensors Cylindrical Housing FMMP Series



- Cylindrical plastic housing
- Ø 6 diameter
- NO output functions
- High sensitive contact
- 60 mm twin-lead cable output connection

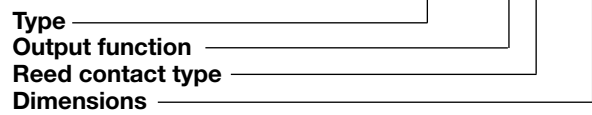
Product Description

The FMMPA7 series is characterized by a cylindrical plastic housing with a 6 mm diameter. The switch contact is NO (Normally Open) and has

very high sensibility with very low hysteresis. The output connection is made in 3 different length: 25, 33 or 38 mm twin-lead cable.

Ordering Key

FMMP A 7 L25



Type Selection

Housing diameter	Connection	Output function	Reference
Ø 6	Twin-lead cable L= 0.5m	NO	FMMP A 7 L25
Ø 6	Twin-lead cable L= 0.5m	NO	FMMP A 7 L33
Ø 6	Twin-lead cable L= 0.5m	NO	FMMP A 7 L38

Diameters are specified in millimeters (mm)

Output Specifications

Output	NO
Contact ratings	
Max Switching Voltage	140 VAC (peak) / 200 VDC
Max Switching Current	1 A
Max Switching Power	10 VA / W
Max Carry Current	1.2 A

General Specifications

Operating distance	See Operating Distance table
Suitable magnetic unit	See Operating Distance table
Operating temperature	-20 to +75 °C
Degree of protection	IP 67
Housing	
Diameter	Ø 6 mm
Material	Plastic
CE-marking	Yes

Operating Distance

Magnetic Units

NeFeB magnet*

FMMP Series

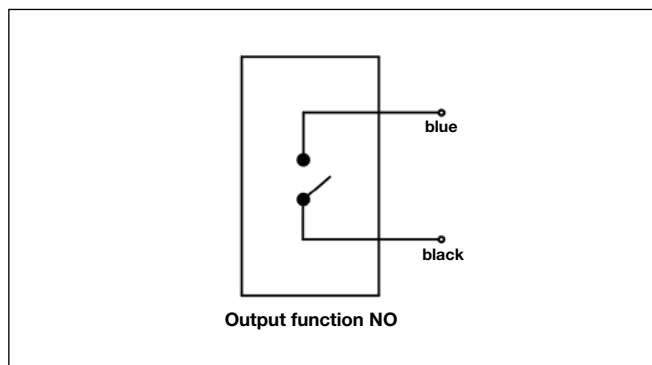
>8

Distances are specified in millimeters (mm)

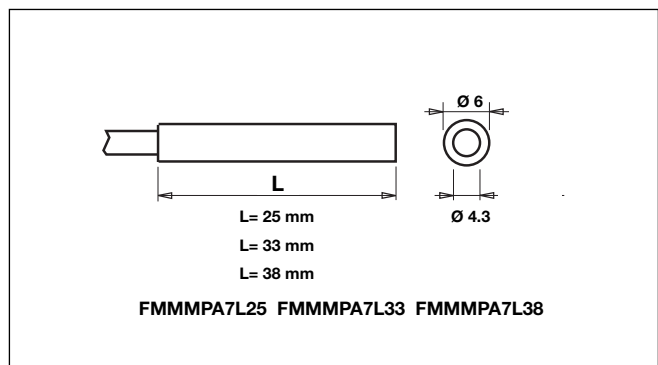
xx/xx: operating distance (for all Output functions).

* the distances are measured at room temperature of 25°C with cylindrical 5x8 mm NeFeB magnet.

Wiring Diagram



Dimensions



T. 934 199 036

www.disaileco.com