

# Proximity Magnetic Sensors Cylindrical Housing FMP Series



T. 934 199 036

www.disaileco.com



- Cylindrical threaded plastic housing in different colours based on the output function
- M12 diameter
- NO, NC, bistable or CO output functions
- Front side switching

## Product Description

The sensors of the FMP series are housed in a plastic threaded housing available in different colours based on the output function. The different versions have NO (Normally Open), NC (Normally Closed), Bistable or CO (Change-over) output contacts. All

versions can be mounted directly on ferromagnetic supports as well; in this situation a reduction in the operating distance may occur due to a loss of magnetic field. The FMP series is provided with two plastic nuts.

## Ordering Key

**FMP A 7 S1**

Type \_\_\_\_\_  
 Output function \_\_\_\_\_  
 Reed contact type \_\_\_\_\_  
 Special version \_\_\_\_\_

## Type Selection

Housing diameter	Housing colour	Connection	Output function	Reference
M12	Black	PVC cable L= 2m	NO	<b>FMP A 7</b>
M12	Black	PVC cable L= 2m	NO	<b>FMP A 9</b>
M12	Black	PVC cable L= 2m	NO	<b>FMP A 9 S1</b>
M12	Red	PVC cable L= 2m	NC	<b>FMP C 7</b>
M12	Red	PVC cable L= 2m	NC	<b>FMP C 9</b>
M12	Blue	PVC cable L= 2m	CO	<b>FMP S 1</b>
M12	Grey	PVC cable L= 2m	Bistable	<b>FMP B 2</b>

Diameters are specified in millimeters (mm)

## Output Specifications

Output	Contact ratings (cont.)
FMPA7, FMPA9, FMPA9S1	Max Switching Power
FMPC7, FMPC9	FMPB2 120 VA
FMPS1	FMPA7 10 VA
FMPB2	FMPA9, FMPA9S1, FMPC9 60 VA
	FMPC7 10 VA
	FMPS1 5 VA
	Minimum Wetting Current (*) 200 µA
	(*) Minimum current required to prevent oxidation between the reed contacts
Contact ratings	
Max Switching Voltage	
FMPB2	250 V AC/DC
FMPA7	200 VDC, 140 VAC
FMPA9, FMPA9S1, FMPC9	230 V AC/DC
FMPC7	120 V AC/DC
FMPS1	175 VDC, 120 VAC
Max Switching Current	
FMPB2	3 A
FMPA7	1 A
FMPA9, FMPA9S1, FMPC9	3 A
FMPC7	0.5 A
FMPS1	0.25 A



## General Specifications

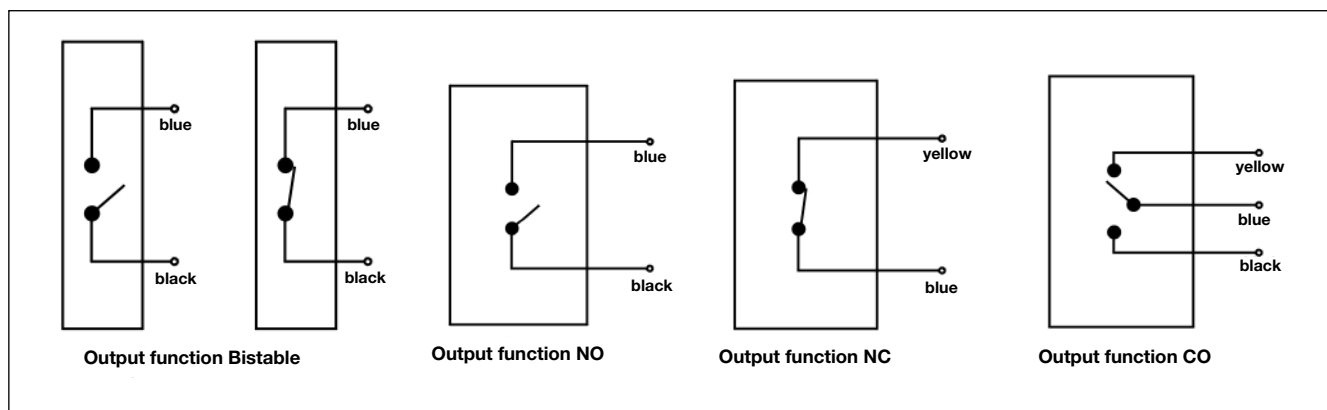
Operating distance	See Operating Distance table
Suitable magnetic unit	See Operating Distance table
Operating distance	8 ÷ 27 mm
Operating temperature	-25 to +75 °C
Degree of protection	IP 67
<b>Housing</b>	
Diameter	M12 x 1 mm
Material	Plastic
Colour	
FMPA7, FMPA9, FMPA9S1	Black
FMPC7, FMPC9	Red
FMPS1	Blue
FMPB2	Grey
CE-marking	Yes

## Operating Distance

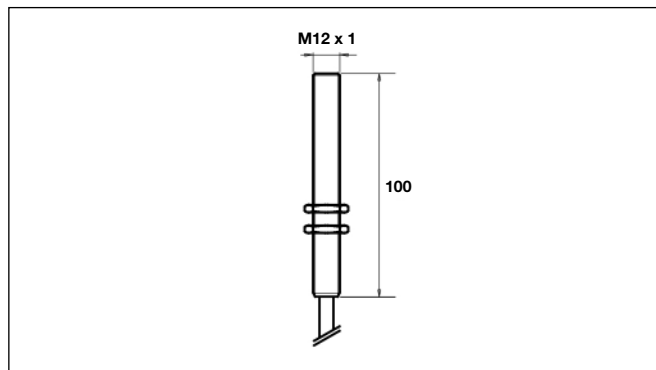
Magnetic Units	CL20S1*
FMPA7	26
FMPA9	7
FMPA9S1	17
FMPC7	23
FMPC9	26
FMPS1	20
FMPB2	15

Distances are specified in millimeters (mm)  
 xx/xx: operating distance (for all Output functions).  
 \*frontal operation.

## Wiring Diagrams



## Dimensions



T. 934 199 036

www.disaileco.com